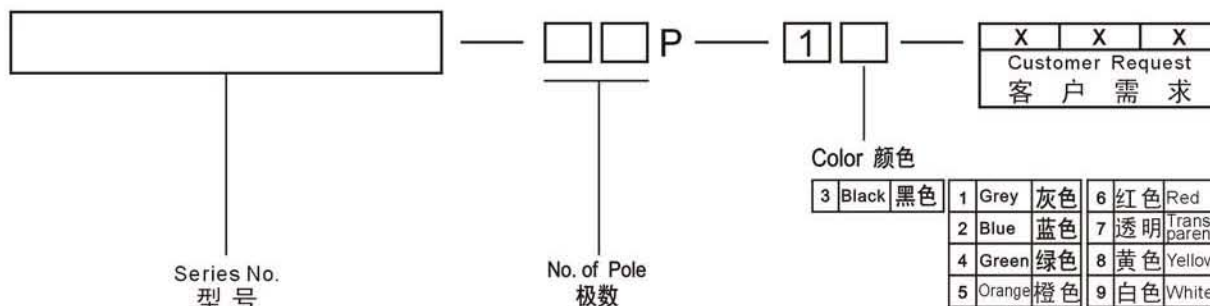


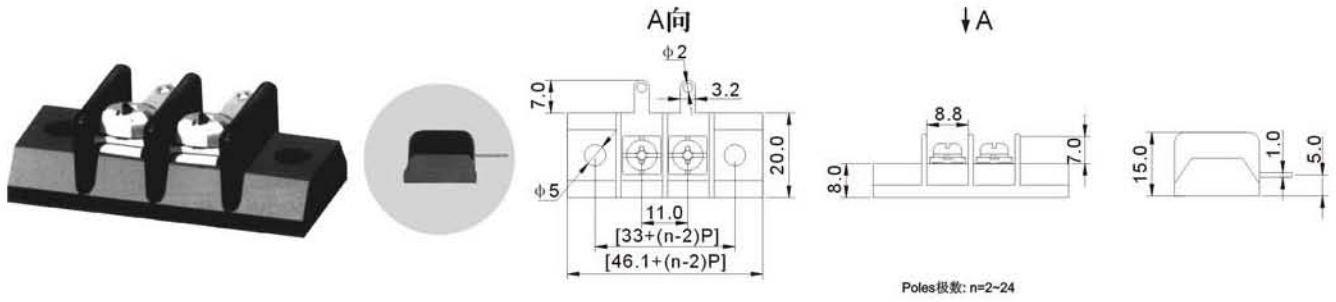
HOW TO ORDER(订货方法):



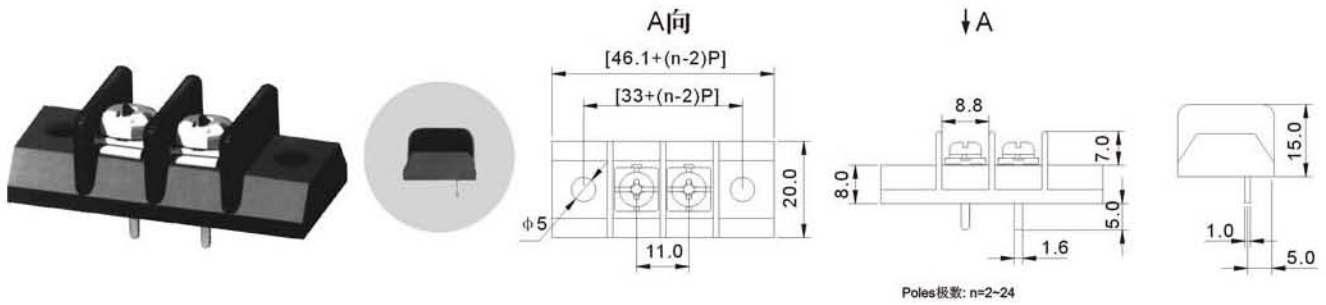
SPECIFICATION(规格)

Materials		材质	
Housing:	PC,UL94V-2	塑件:	PC, UL94V-2
Terminal:	Brass,1.0t,Tin-Plated	端子:	黄铜, 1.0厚 镀锡
Screw:	Steel,M3 Ni-Plated	螺丝:	钢, M3 镀镍
Capability		性能	
Rated:	300V / 20A	额定电压/电流:	300V / 20A
Temp.Range:	-40°C~+80°C	使用温度:	-40°C~+80°C
Withstand Voltage:	AC2000V / 1Min	耐电压:	AC2000V / 1Min
Insulation Resistance:	500MΩ / DC500V	绝缘阻抗:	500MΩ / DC500V
Wire Range:	22-12AWG	适用线径:	22-12AWG
Max.Torque Value:	0.8N.m 7.0Lb.in	最大锁紧扭力:	0.8N.m 7.0Lb.in

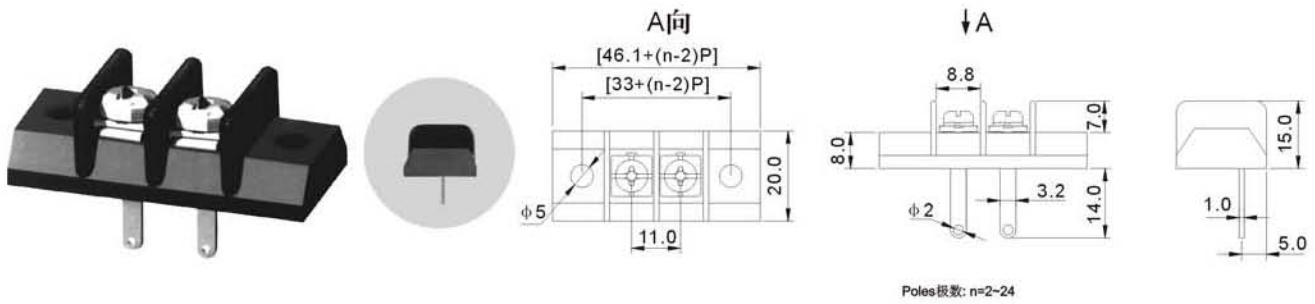
DG67-1



DG67-2



DG67-3



DG67-5

